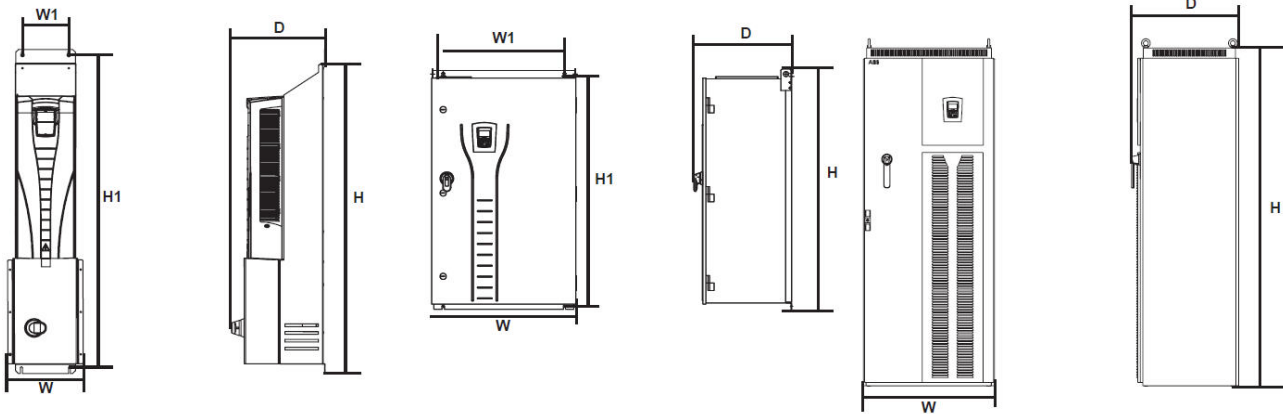


## Dimensions and weights (supplement to ACH550-UH User's Manual)

### Mounting dimensions

Dimensions: ACH550-PxR UL Type / NEMA 1



Wall Mount (PX1-1 - PX1-4)

Wall Mount (PX1-5 - PX1-6)

Floor Mount (PX1-8)

Dimension Reference	UL Type / NEMA 1 Mounting Dimensions mm [inches]			UL Type / NEMA 1 Dimensions and Weights mm kg [inches] [lbs]				Dimension Drawing
	H1	W1	Mouting Hardware	Height (H)	Weight (W)	Depth (D)	Weight	
PX1-1	712 [28]	98 [3.9]	M6 [0.25]	729 [28.7]	198 7.8	283 11.2	15 33	3AUA000008216 Sheet 1
PX1-2	812 [32]	98 [3.9]	M6 [0.25]	829 [32.6]	198 [7.8]	295 [11.6]	19 [42]	3AUA000008218 Sheet 1
PX1-3	983 [38.7]	160 [6.3]	M6 [0.25]	1013 [39.9]	260 [10.2]	304 [11.9]	34 [75]	3AUA000008220 Sheet 1
PX1-4	1117 [44]	160 [6.3]	M6 [0.25]	1147 [45.2]	260 [10.2]	332 [13.1]	43 [95]	3AUA000008221 Sheet 1
PX1-5	1175 [46.3]	600 [23.6]	M10 [0.375]	1212 [47.7]	713 [28.1]	483 [19]	121 [267]	3AUA000021148 Sheet 1
PX1-6	1175 [46.3]	600 [23.6]	M10 [0.375]	1212 [47.7]	713 [28.1]	483 [19]	163 [359]	3AUA000021148 Sheet 1
PX1-8 <sup>1</sup>	Free Standing		Ø16 [Ø0.63]	2125 [83.7]	806 [31.7]	659 [25.9]	360 [794]	3AUA000021152 Sheet 1

1. See page 3-31 for mounting dimension details and additional free space recommendations.

208-230V: PX1-1 1-5 HP, PX1-2 7.5-10 HP, PX1-3 15-20 HP, PX1-4 25 HP, PX1-5 30-40 HP  
 480V: PX1-1 1-7.5 HP, PX1-2 10-15 HP, PX1-3 20-30 HP, PX1-4 40-75 HP, PX1-5 100 HP  
 PX1-6 125-200 HP, PX1-8 250-550 HP